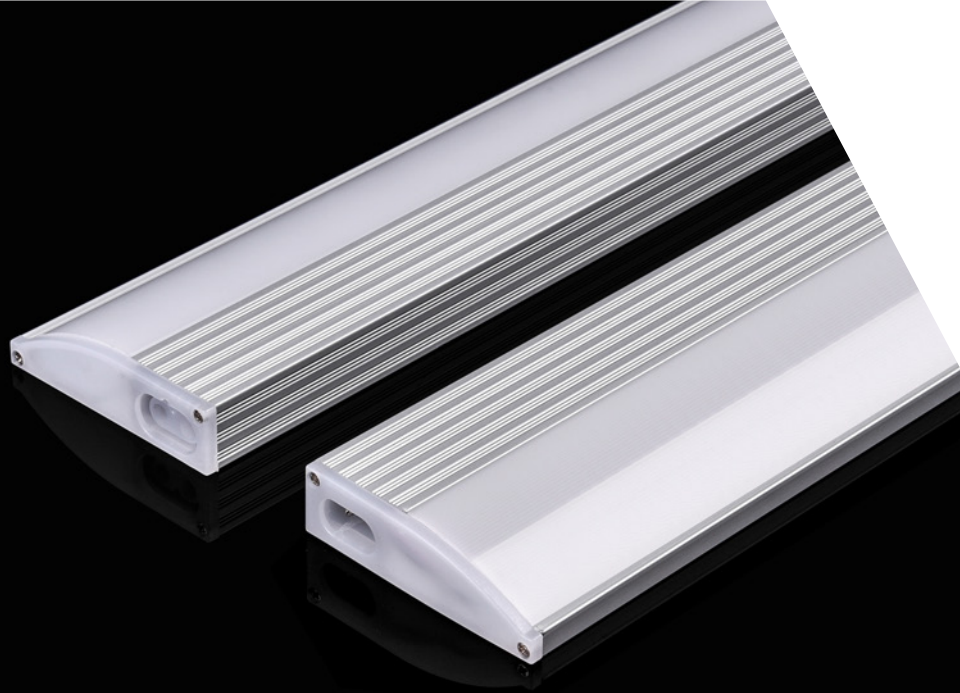


LONYUNG®



LED CABINET LIGHT

1. Length: 1ft, 2ft, 3ft, 4ft
2. PF>0.9
3. THD<20%
4. Life Span: 50,000 hours
5. Color Index: Ra>80
6. Temperature range: -15° to 45°
7. Input Voltage: AC100-277V



LANDLINE: 86-0760-22182786

WWW.LONYUNG.COM
WWW.LONYUNGLIGHTING.COM

LONYUNG LED LIGHTING CO.,LTD

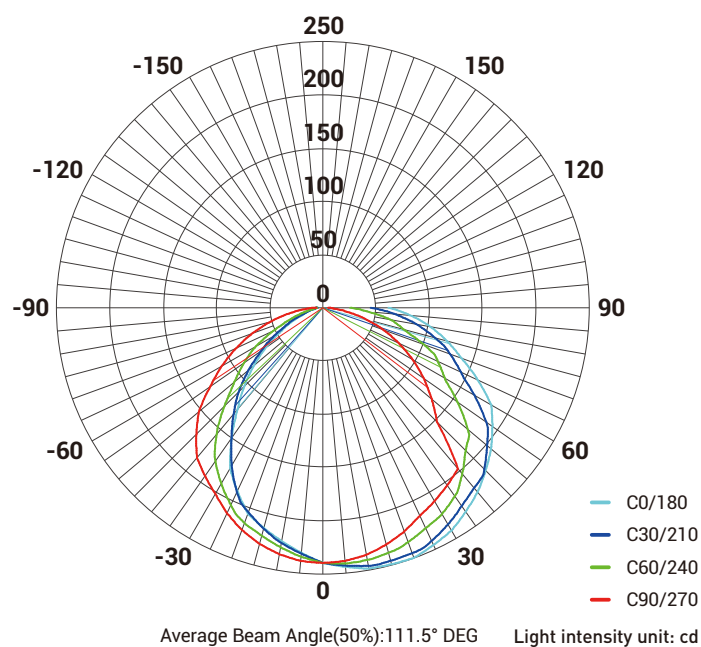
LED CABINET LIGHT

Product Description

LED Cabinet Light provides task or accent lighting in commercial, retail, hospitality and residential applications. Ideal for use under and over cabinets, display cases, task lighting, office lighting, coves and utility/work areas. Our cabinet light provides high lumen output, smooth illumination and increase energy efficiency.



Light Distribution Curve



Product Features

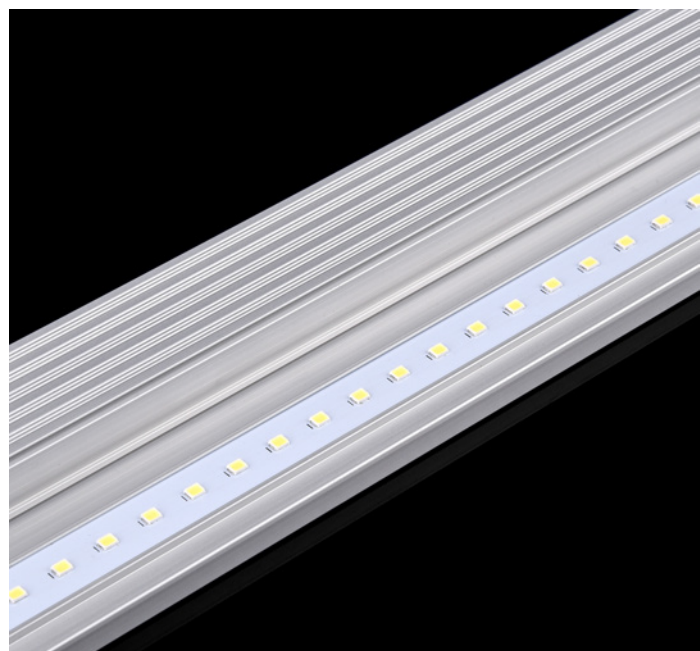
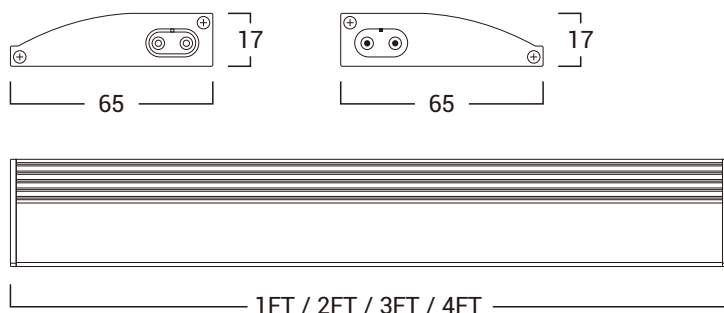
- Integrated LED Design
- Seamless Connection
- Special design for Under Cabinet Lighting
- Easy Installation
- Integrated ON/OFF Switch, 3 CCT Tunable

LED CABINET LIGHT

Application

- Ideal for use under and over cabinets
- Display cases, task lighting, office lighting
- Coves and utility / work areas

Product Line Drawing (Size:mm)



Specification

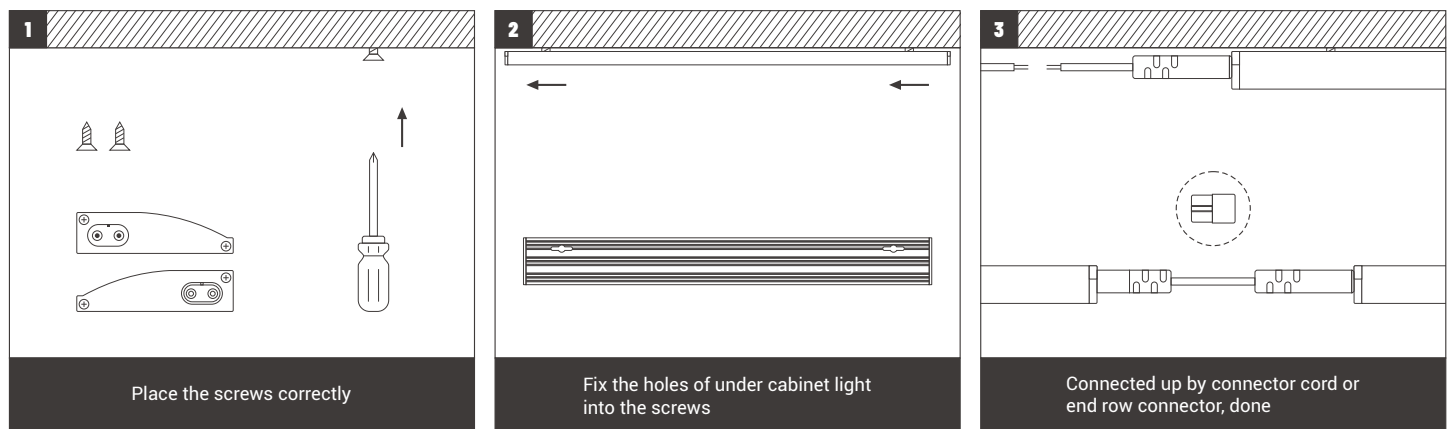
CRI: >80		CCT: 3000K, 4000K, 5000K, 6000K			Material: AL+PC	
Model	Size	Power	Pc Cover	Lumens (lm) ±10%	Package	
LY-CG65L300-4W	1ft	4W	Frosted	420	340x315x295 (mm) 20pcs/ctn	
LY-CG65L600-7W	2ft	7W	Frosted	735	630x315x295 (mm) 20pcs/ctn	
LY-CG65L900-12W	3ft	12W	Frosted	1260	940x315x295 (mm) 20pcs/ctn	
LY-CG65L1200-15W	4ft	15W	Frosted	1575	1240x315x295 (mm) 20pcs/ctn	
LY-CG65L1200-20W	4ft	20W	Frosted	2100	1240x315x295 (mm) 20pcs/ctn	

LANDLINE: 86-0760-22182786

LED CABINET LIGHT

Steps Of Installation

- Handle product with care.
- To avoid electric shock, maintenance and installation should only be carried out by a professional electrician.
- Before installation, turn off the power to make sure safety.
- Please use it under correct input power range.
- Do not use in the outdoor environment.
- If the product does not operate properly, check the wire connection after the power cut off.
- Follow the diagram for below for proper installation.



Standard Accessories

One 1500mm power cord with usa plug, one 250mm connection cable, one small connector and screws...
(Length for power cord or connection cable can be customized)

