

LONYUNG®



SINGLE T5 INTEGRATED LIGHT

1. Length: 1ft, 2ft, 3ft, 4ft, 5ft, 6ft, 8ft
2. PF>0.9
3. THD<20%
4. Life Span: 50,000 hours
5. Temperature range: -10° to 45°
6. Energy efficiency class: A
7. Input Voltage: AC120V / AC100-277V / AC100-240V

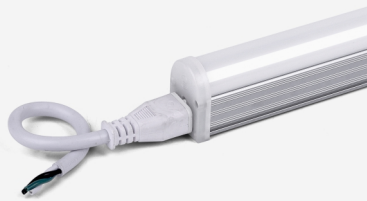
LONYUNG LED LIGHTING CO.,LTD
LANDLINE: 86-0760-22182786
WWW.LONYUNG.COM
WWW.LONYUNGLIGHTING.COM



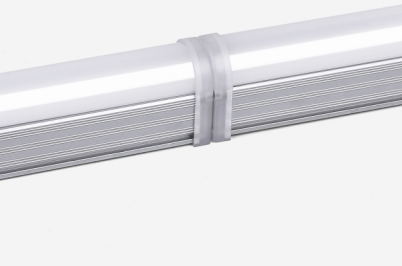
Daisy chain connection,
Male-Female joint.



Lead in wire



Seamless connection with
in-line connector

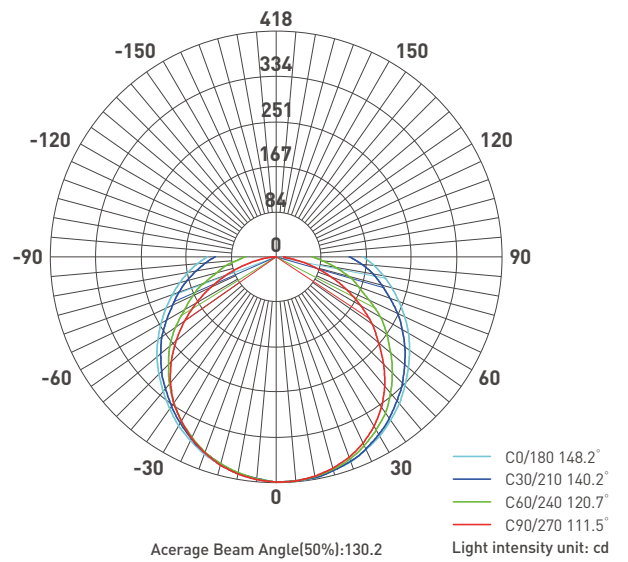


- (1). Connecting cable
- (2). Male-Female joint
- (3). Power supply cable
- (4). Screws
- (5). Mounting clips

Product Description

Single T5 integrated light with high-efficiency light engine for long life and excellent color to ensure the quality of the lighting. It can be connected to an optional cable or connector.

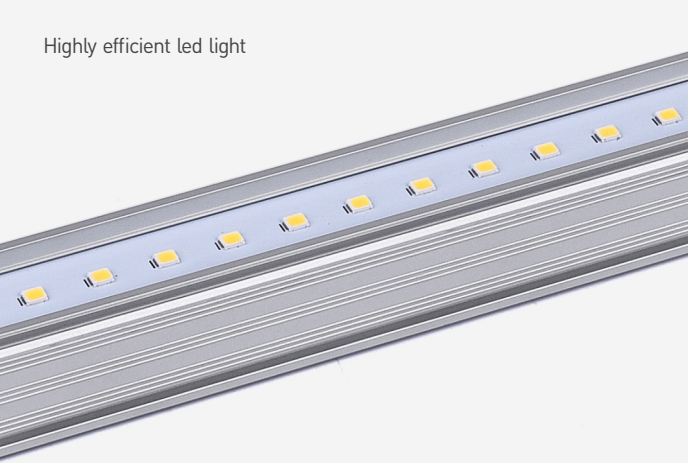
Light Distribution Curve



Product Features

- Patent Male-female linkable design
- Seamless & No Dark in-line connection
- 0.8mm aluminum housing for excellent heat dissipation
- Heat protection system, with excellent internal driver
- Enjoy Hassle-free, safe and easy Installation

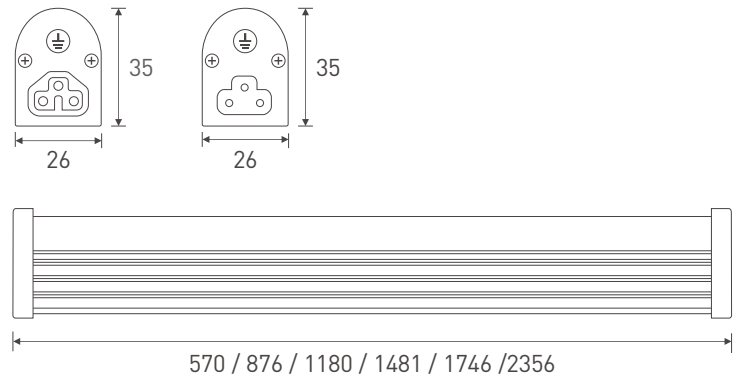
Highly efficient led light



Application

- Warehouses, factories & food storage, gymnasium
- Car parks & sports facilities, Kitchens, shopping malls

Product Line Drawing (Size:mm)

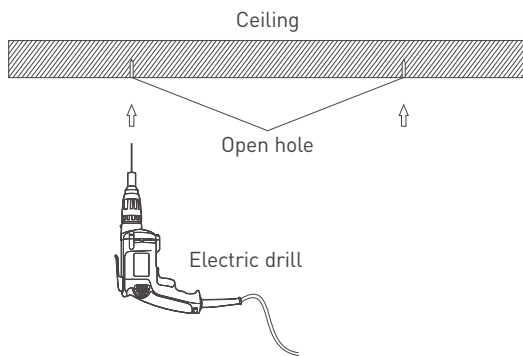


Specification

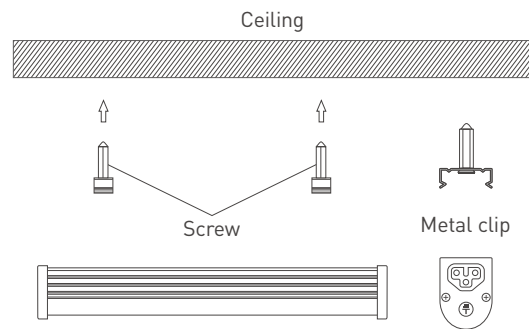
CRI: >80		CCT: 3000K, 4000K, 5000K, 6000K			Material: AL+PC		
Model	Size	Power	Pc Cover	Lumens (lm) ±10%	Pc Cover	Lumens (lm) ±10%	Package
LY-T5DL300-4W	1ft	4W	Frosted	440	Clear	480	490x175x230 (mm) 25pcs/ctn
LY-T5DL600-7W	2ft	7W	Frosted	770	Clear	840	780x175x230 (mm) 25pcs/ctn
LY-T5DL900-12W	3ft	12W	Frosted	1320	Clear	1440	1085x175x230 (mm) 25pcs/ctn
LY-T5DL1200-15W	4ft	15W	Frosted	1650	Clear	1800	1390x175x230 (mm) 25pcs/ctn
LY-T5DL1500-20W	5ft	20W	Frosted	2200	Clear	2400	1690x175x230 (mm) 25pcs/ctn
LY-T5DL1800-22W	6ft	22W	Frosted	2420	Clear	2640	1955x175x190 (mm) 20pcs/ctn
LY-T5DL2400-30W	8ft	30W	Frosted	3300	Clear	3600	2565x175x145 (mm) 15pcs/ctn

Steps Of Installation

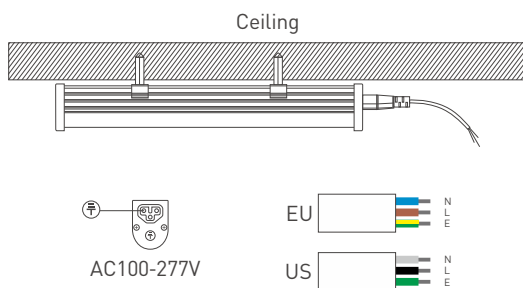
- To avoid electric shock, maintenance and installation should only be carried out by a professional electrician
- Before installation, turn off the power to make sure safety
- Follow the diagram for below for proper installation



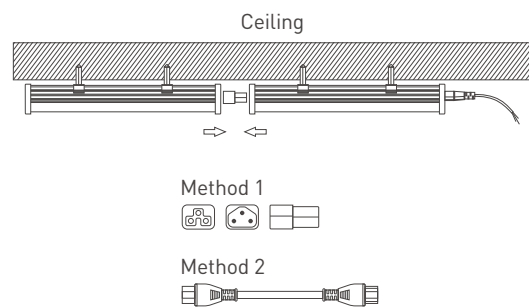
(1). Make a right position and screw hole.



(2). Fixed the clips between ceiling and light with screws.



(3). Fixed rotatable clips & fixture with tighten screws.



(4). Connected up by connector, done.

Warning

- The integrated tubes can be connected less than total 200W.
- Please use it under correct input power range.
- Triac dimmable available.
- Do not use in the outdoor environment.
- If the product does not operate properly, check the wire connection after the power cut off.